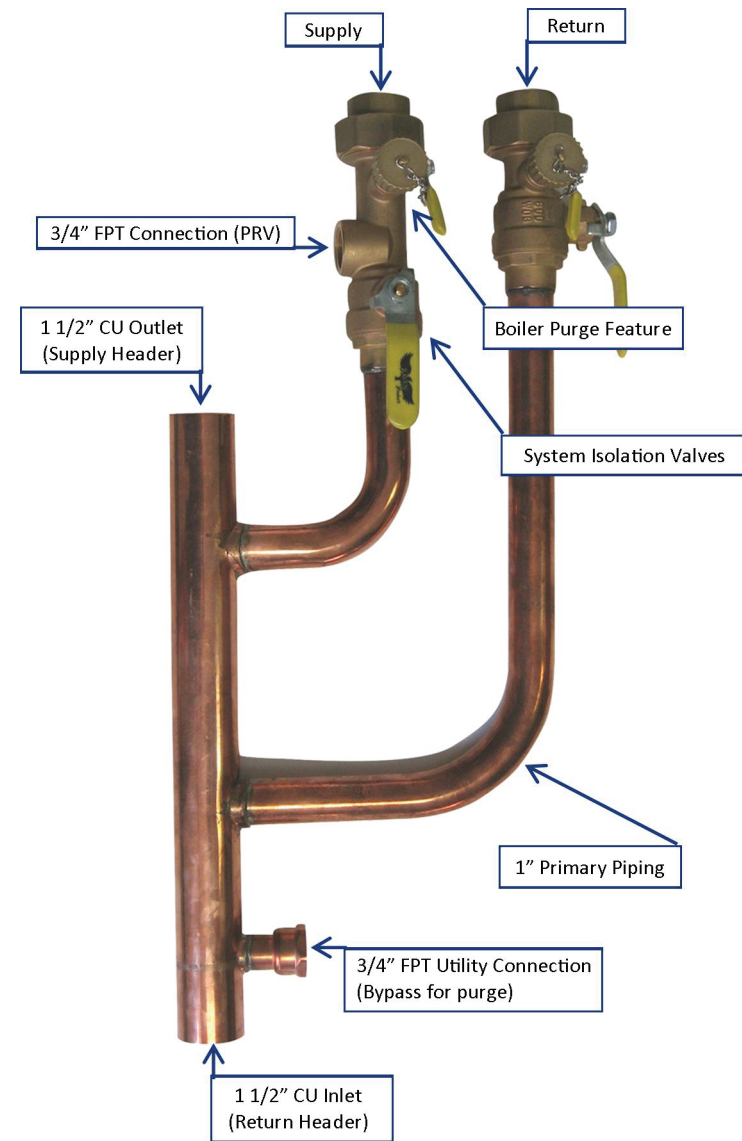
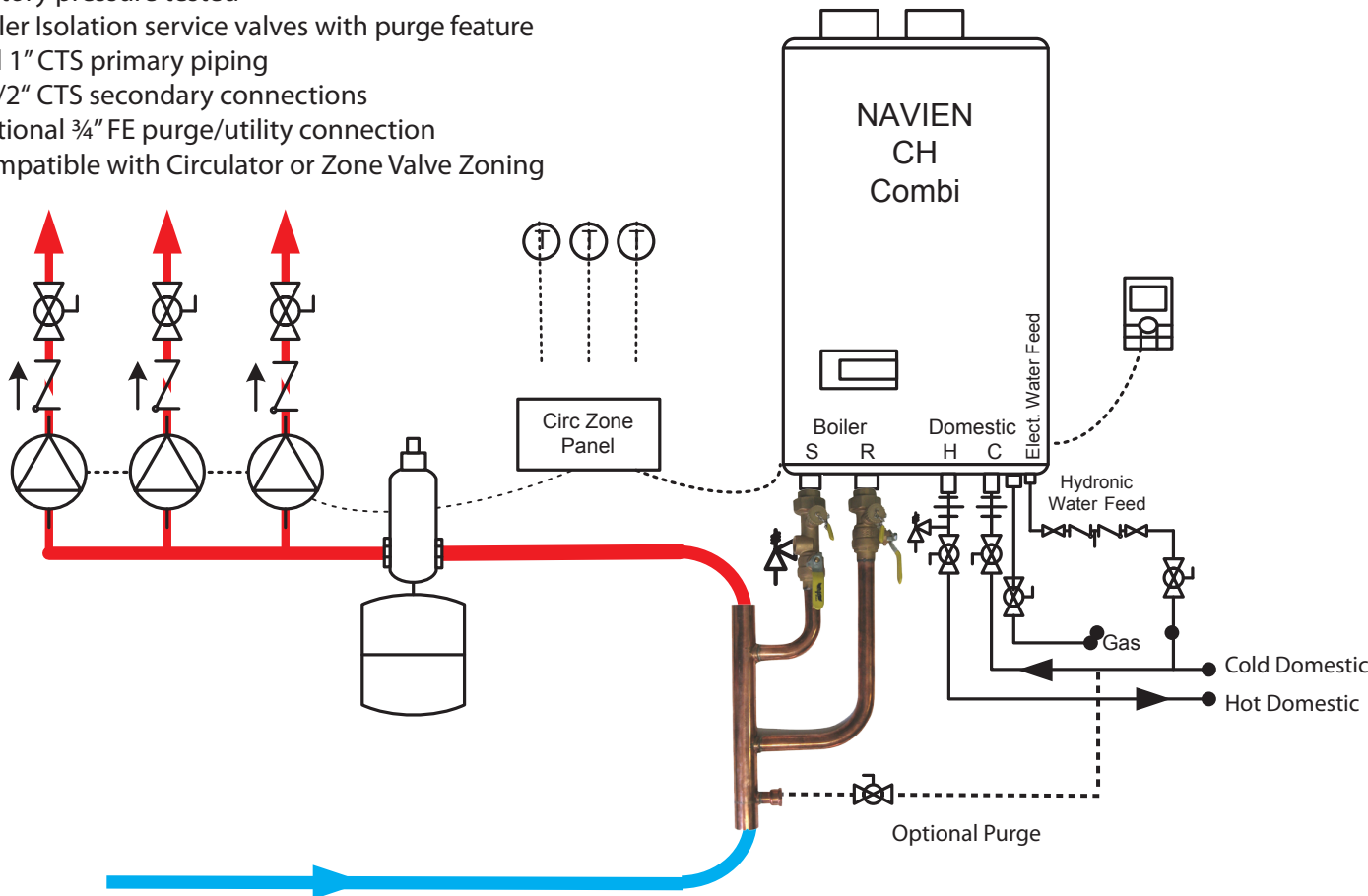


# Primary/Secondary Heating Manifold for Navien CH Series Combination Boilers

## #NCM112

- Substantial Savings on Labor and Materials!
  - No measuring or leveling involved
  - Save an hour of labor
  - Eliminate 4) 1 1/2" sweat connections
- Eliminate 8) 1" sweat connections
- Eliminate 6) measure, cut, and clean operations
- Left hand orientation keeps boiler piping clear of domestic water connections
- Union boiler connections with tapping for 3/4" PRV
- Factory pressure tested
- Boiler Isolation service valves with purge feature
- Full 1" CTS primary piping
- 1 1/2" CTS secondary connections
- Optional 3/4" FE purge/utility connection
- Compatible with Circulator or Zone Valve Zoning



website: [www.ravenproducts.us](http://www.ravenproducts.us)  
email: [sales@ravenproducts.us](mailto:sales@ravenproducts.us)

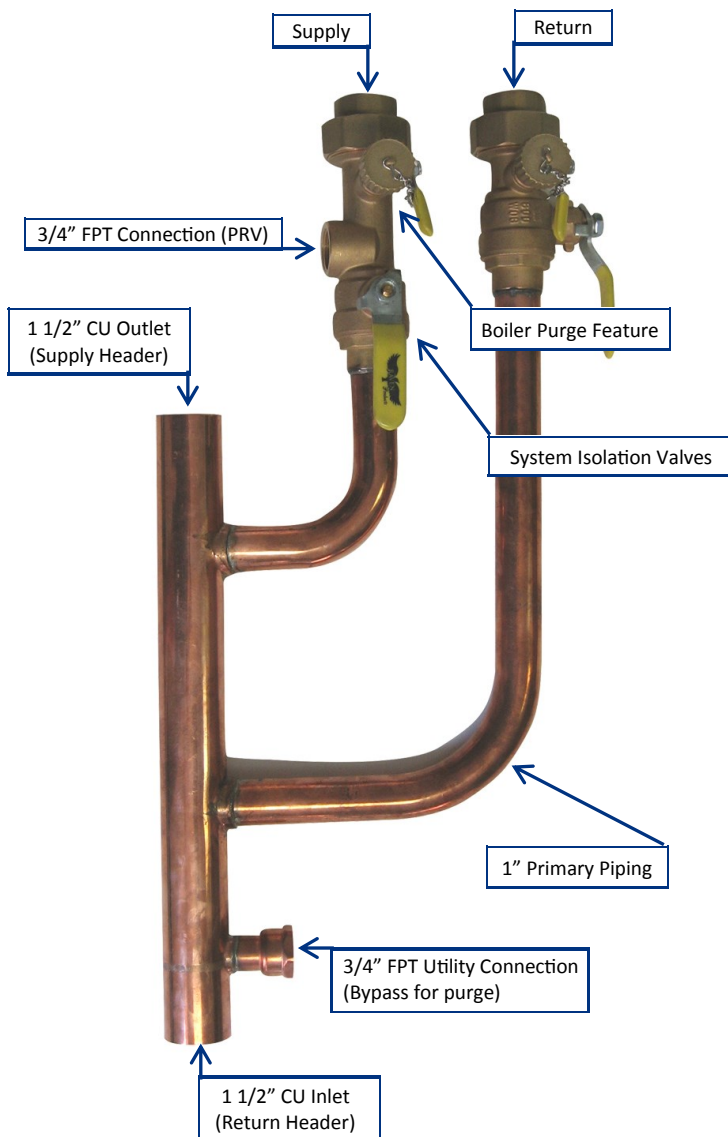
Innovations in plumbing & heating ...



173 Flanders Road  
Westborough, MA 01581  
ph 888-467-2836  
fax 877-297-2836

*innovations in plumbing and heating...*

# 1 1/2" NAVIEN CH SERIES COPPER MANIFOLD ASSEMBLY



Re-designed manifold with 1" copper primary piping spaced at 6" on center

## FEATURES:

- \* Substantial savings on labor and materials!
- \* Left hand orientation keeps boiler piping clear of domestic water connections
- \* Union boiler connections with tapping for 3/4" PRV
- \* Factory pressure tested
- \* Boiler isolation service valves with purge feature
- \* Full 1" CTS primary piping
- \* Optional 3/4" FE purge/utility connection
- \* Compatible with circulator or zone valve zoning

ITEM #	DESCRIPTION	NET PRICE
NCM112	1 1/2" Navien CH Series Copper Manifold Assembly	\$195.00